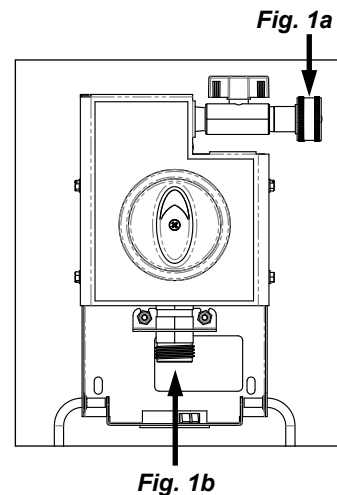


INTRODUCTION

The Knight Sani-Select is the perfect dispensing system for supermarket meat rooms, kitchen areas, bakeries, seafood stores, auto dealers, truck washing, loading docks, etc. The Knight Sani-Select is the economical system for controlling cleaning costs. Chemicals are mixed accurately and consistently at your chosen dilution ratio, utilizing a venturi valve. Up to 16 different product concentrations are available using the provided metering tips.

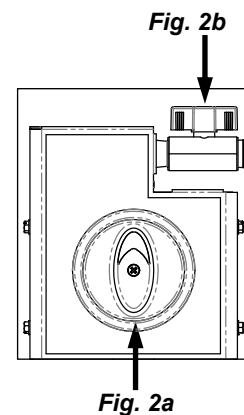
INSTALLATION

- (1) Mount the unit to the wall using the screws and anchors provided. Dimensions are shown on page 2 for reference
- (2) Select the appropriate metering tip (see chart in metering tip package) and screw into end of barb fittings for the chemicals used. The cover can be removed to access the barb fittings if necessary.
- (3) Install foot strainer on the end of each supply tube. Slide a ceramic weight over each supply tube, then connect the tube onto the barbed fittings. Cinch a plastic tie wrap (provided) around the connection to secure. Insert foot end into container.
- (4) Connect to a water supply using the provided 3/4" garden hose adapter on the right side of the unit [Fig. 1a]. The adapter can be removed to permit hard plumbing directly to 3/8" or 1/2" NPT water line.
Water pressure should be 30 to 80 PSI. Water temperature should not exceed 140 degrees (F).
- (5) Attach the nozzle to the end of the output hose, then connect the hose to the fitting on the bottom of the unit [Fig. 1b].






OPERATION

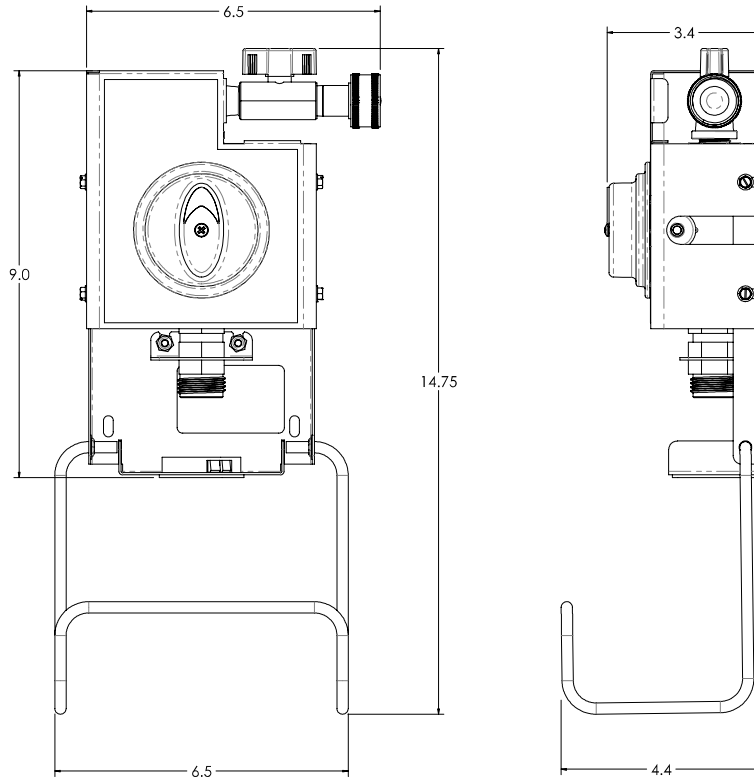
- (1) Turn the selector knob to the desired operation; Clean, Rinse, or Sanitize [Fig. 2a].
- (2) Turn on the ball valve [Fig. 2b]. When the spray nozzle handle is activated, the selected product and water mixture will be dispensed.
- (3) To use the Foam feature, attach the Foam Wand to the quick-connect coupling on the end of the nozzle (be sure air intake holes are not obstructed) and depress spray nozzle handle.



IMPORTANT NOTES

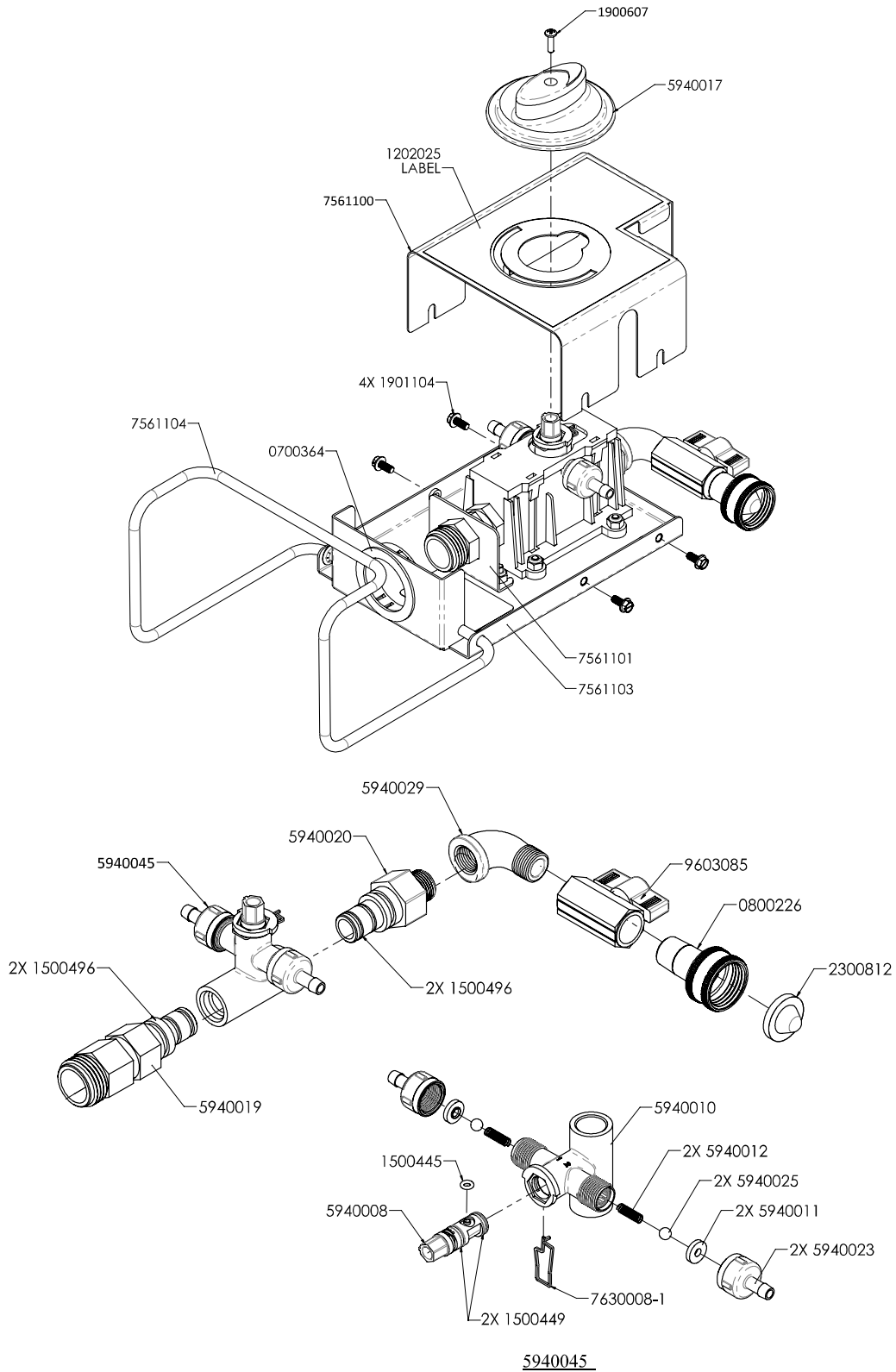
-  ONLY USE A HOSE AND SPRAY NOZZLE SUPPLIED BY KNIGHT LLC.
-  DO NOT ADJUST THE KNOB ON THE SPRAY NOZZLE FROM THE FULL SPRAY POSITION.
-  UNIT SUPPLIED WITHOUT A BACKFLOW PREVENTION DEVICE. TO PREVENT POSSIBLE CHEMICAL BACKUP INTO THE WATER SUPPLY, COMPLY WITH ALL LOCAL PLUMBING CODES AND INSTALL AN APPROPRIATE BACKFLOW PREVENTION DEVICE.

DIMENSIONS (IN) / PARTS TABLE



Part No	Description	
0700364	Grommet, 1.375 ID, Nylon Black	
0800226	Fitting, Swivel, Nickle PLTD	Brass, 3/4 FGHT X 3/8 MNPT
1202025	Label, Sani-Select	
1500445	O-Ring, AS568-007, Aflas	
1500449	O-Ring, AS568-012, EPDM	
1500496	O-Ring, AS568-014, EPDM	
1900607	Screw, Pan Head, 18-8 SST	#6-32 X 1/2
1901104	Screw, #8-32 x 3/8, 18-8 SST	Indented Slotted Hex Washer
2300812	Washer, Screen	(Water Input)
5940008	Selector, Insert	
5940009	Ring, Retaining, SST	
5940010	Venturi Body, 3 Position	
5940011	Gasket, Check Ball, EPDM	
5940012	Spring, Check	
5940017	Knob, Selector, Natural POM	
5940019	Fitting, Output	
5940020	Fitting, Input	
5940023	Fitting, Adapter, PP	1/4 Barb to 5/8-18 UNF-2B
5940025	Ball, Check	
5940029	Fitting, Elbow 90 DEG. Brass	3/8 NPT Male To Female
7062002	Base Plate	
7561100	Cover, Sani-Select	
7561104	Hanger, Hose	
9603085	Ball Valve, 3/8 NPTF, Brass	1/4 Turn, T-handle
7630008-1	Clip, Rotary Dial 4	

PARTS DIAGRAMS



TROUBLESHOOTING

Problem	Possible Cause	Remedy
No output	(1) Water supply is off (2) Discharge hose is kinked	(1) Turn water supply on (2) Straighten hose or replace
Product is not drawn from container	(1) Foot valve obstruction (2) Clogged metering tip (3) Water inlet blocked (4) Low water pressure (5) No product in container (6) Supply tube is loose (7) Hose nozzle not fully open	(1) Clean or replace (2) Clean or replace (3) Check/clean screen (4) Must be 30 PSI minimum (5) Re-fill or use new container (6) Tighten or replace tie wrap (7) Fully squeeze nozzle to open all
Too much, or too little product is drawn	Incorrect metering tip	Choose the next closest ratio from chart and verify results — repeat this step as necessary until the correct tip is chosen
No water (or very low flow)	(1) Obstruction at inlet screen area (2) Low water pressure (3) Scaled or clogged fittings	(1) Clean obstruction/replace screen (2) Use a more suitable source (3) Clean scaling or free obstructions
Supply container fills with water	Check valve clogged	Clean or replace check valve

DISCLAIMER

Knight LLC does not accept responsibility for the mishandling, misuse, or non-performance of the described items when used for purposes other than those specified in the instructions. For hazardous materials information consult label, MSDS, or Knight LLC. Knight products are not for use in potentially explosive environments. Any use of our equipment in such an environment is at the risk of the user, Knight does not accept any liability in such circumstances.

WARRANTY

All Knight controls and pump systems are warranted against defects in material and workmanship for a period of ONE year. All electronic control boards have a TWO year warranty. Warranty applies only to the replacement or repair of such parts when returned to factory with a Knight Return Authorization (KRA) number, freight prepaid, and found to be defective upon factory authorized inspection. Bearings and pump seals or rubber and synthetic rubber parts such as “O” rings, diaphragms, squeeze tubing, and gaskets are considered expendable and are not covered under warranty. Warranty does not cover liability resulting from performance of this equipment nor the labor to replace this equipment. Product abuse or misuse voids warranty.

FOOTNOTE

The information and specifications included in this publication were in effect at the time of approval for printing. Knight LLC reserves the right, however, to discontinue or change specifications or design at any time without notice and without incurring any obligation whatsoever.

KNIGHT LLC (www.knightequip.com)

Knight Headquarters
USA Toll Free

Tel: 949.595.4800
Tel: 800.854.3764

Fax: 949.595.4801
Fax: 800.752.9518